

I got 99 problems but a switch aint one

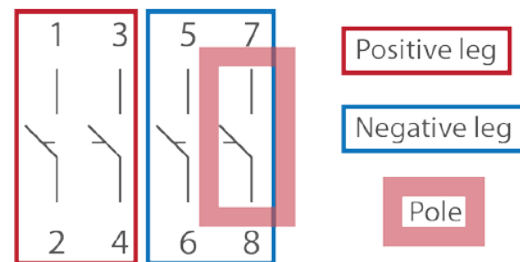
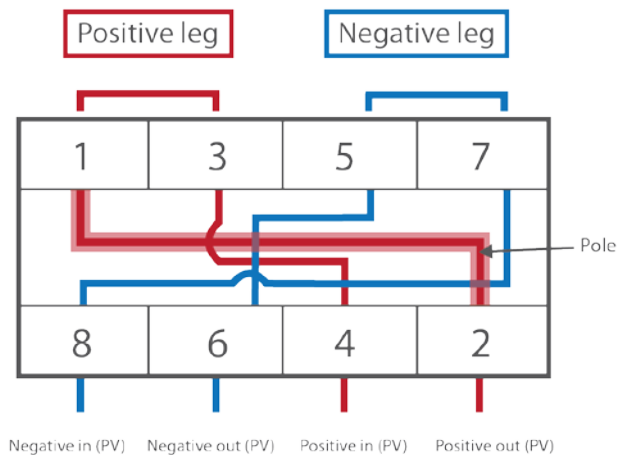
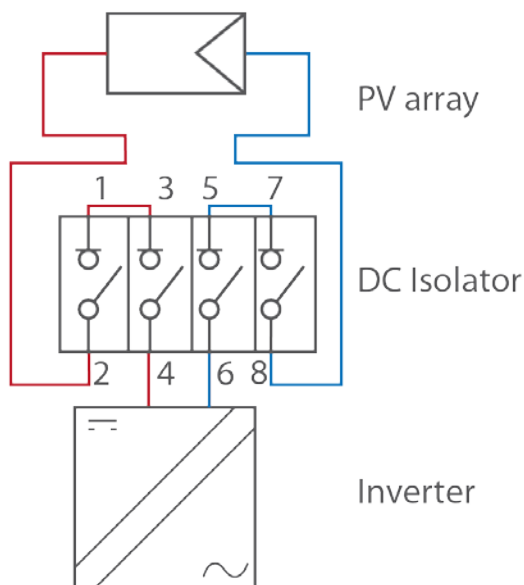
Best Practice Isolator Sizing and Installation

Correct isolator selection and installation is an extremely important aspect of ensuring PV systems are safe and up to standard. Through the extensive inspection work that GSES has conducted, and feedback from industry, interpreting isolator data sheets can be tricky for many installers. In response to this GSES has increased its focus on isolator selection during its grid connect PV training, and published a technical article: *DC Isolators, what are the manufacturer's specification sheets really telling you?*

On the strength of this experience, GSES was contracted by an installation and distribution company to clarify the technical datasheet of several isolator products and prepare user information specific to the isolator brand. GSES provided technical product information including

the disambiguation of wiring configurations, interpretation of isolator ratings as per Australian Standards and worked examples of wiring configurations. The purpose of the document is to accompany the isolator manufacturer's datasheets to provide a simplified design and installation guide for clients.

Example wiring diagram from the technical document highlighting connection points of a selected isolator configuration and the internal wiring.



GSES' is dedicated to improving the quality of PV installations throughout Australia and the world, and continuously identifying and solving knowledge gaps in the industry. Through our experienced engineering team we are able to produce technical documents covering a wide range of industry issues from standard updates to best practice guidelines and emerging technologies. If you are interested in GSES completing technical review work for your business, please contact us on 1300 265 525 or email admin@gses.com.au.

GSES welcomes feedback on technical papers and other resources available on www.gses.com.au, please contact GSES by email at info@gses.com.au or by telephone on 1300 265 525.

